

FIRE-RATED CEILING ACCESS HATCH

50 mm - 2 panels of 25 mm

120 MINUTES



- Aluminium-bar frame attached by «Tox» connections
 - Lip seal along the whole circumference
 - Safety pin
 - Hidden latches
 - Lockable with square lock
 - Flush mounting with plasterboard ceiling
 - Folding, removable cover
 - Plaster boards screwed GKF
- 2 x 25 mm PANELS**

120-minute fire-rated ceiling access hatches are designed to be installed in self-contained fire protection false ceilings. One of the requirements is that the «fire load is only on the room side», and the fire resistance classification is EI 120.

They offer effective protection against fire spreading in the area beneath the false ceiling. The integrated aluminium frame is fitted with a firewall. The inspection hatch cover is fitted with a DF fire-resistant panel and protected against smoke by a multi-purpose peripheral seal. The cover is secured on both sides by automatic safety mounting arms. The safety mounting arms ensure that the hatch cover is engaged each time it is opened. The cover is easy to remove and replace.

ADVANTAGES

Access hatch for false ceilings with fire protection on the room side only, when fire protection is not required in the ceiling cavity.

APPLICATION SPECIFICATIONS

- Fit to the ceiling (do not walk on it).

CERTIFICATION

- CSTB Fire-report no. RS-19-067 (2 x 25 mm).

MOUNTING AND FIXING

The integrated frame can be easily mounted into the ceiling cavity (about 5-10 mm larger than the installation dimensions).

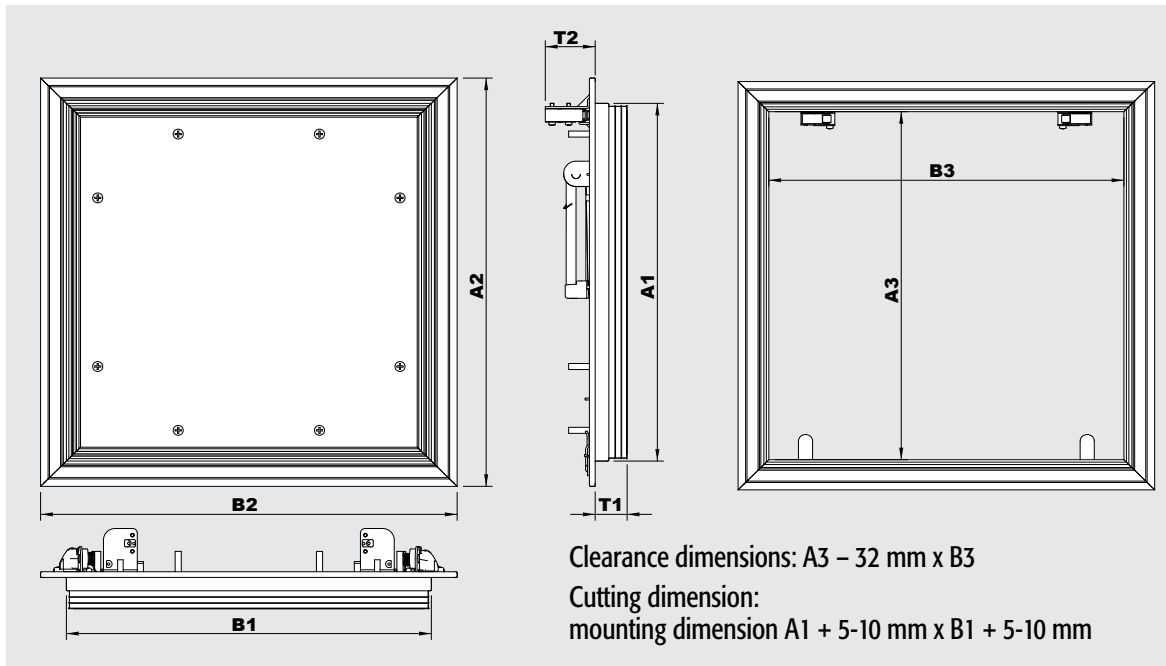
Screw through the plasterboard ceiling and the aluminium frame using integrated dry wall screws. Affix the protective caps. Coat everything and attach the cover.



Fire resistance tested from below (room side)

NF EN 1634-1 : +A1 : 2018

MOUNTING AND FIXING



SIZES AND REFERENCES

2 x 25 mm PANELS EI 120 Certificate

DIMENSIONS IN MM A x B (V)	CLEAR OPENING A1 x B1	LENGTH X WIDTH A2 x B2	INTERIOR DIMENSIONS A3 x B3	WIDTH DEPTH		WEIGHT IN KG	REFERENCE
				T1	T2		
300 x 300	301 x 301	354 x 354	287 x 287	51,5	20	8,10	A10277
400 x 400*	401 x 401	454 x 454	387 x 387	51,5	20	13,20	A10278
500 x 500	501 x 501	554 x 554	487 x 487	51,5	20	19,20	A10279
600 x 600*	601 x 601	654 x 654	587 x 587	51,5	20	25,80	A10280
800 x 800	801 x 801	854 x 854	787 x 787	51,5	20	44	A10281

Dimensions in mm, (V) = closing side.

***Access panels in stock.**

Products not stocked – 3/4 weeks delivery time.

**All reports must be validated
 by your inspection office
 prior to any order.**